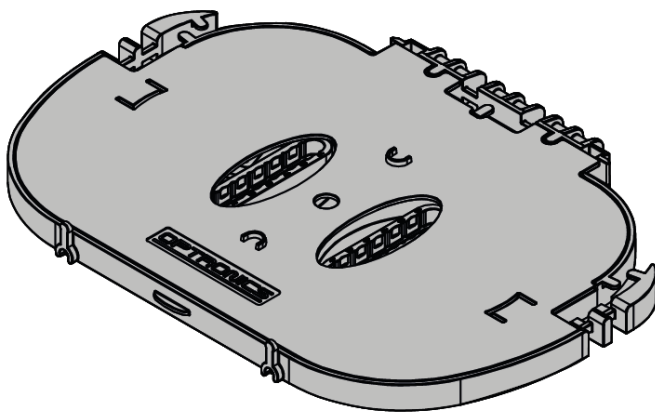


Product updated on February 06, 2017

SPT06 Optronics 12 or 24 fibre hinged splice tray



Item Description

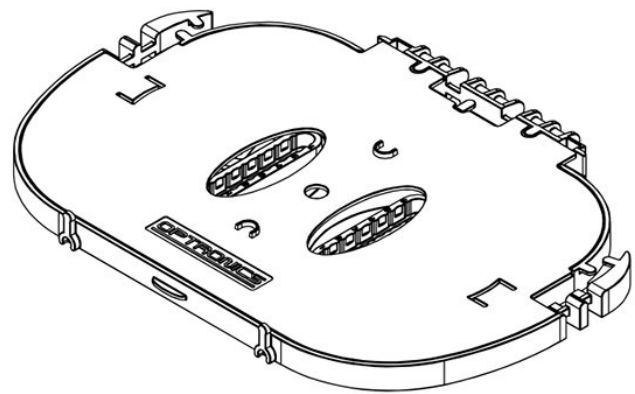
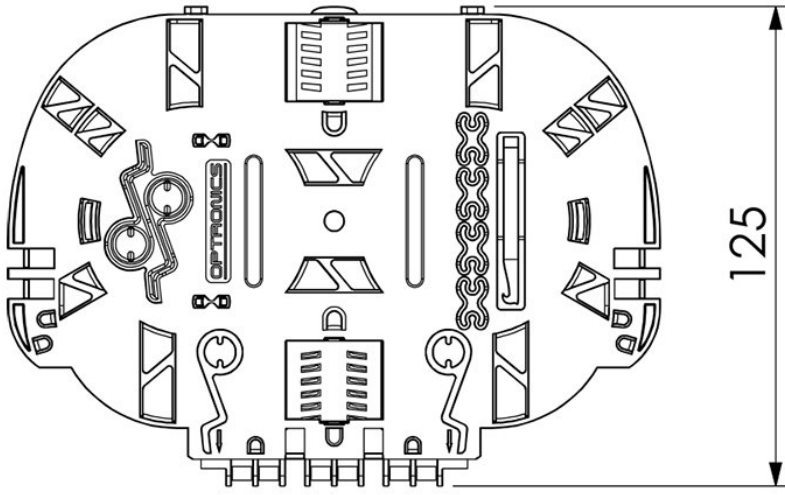
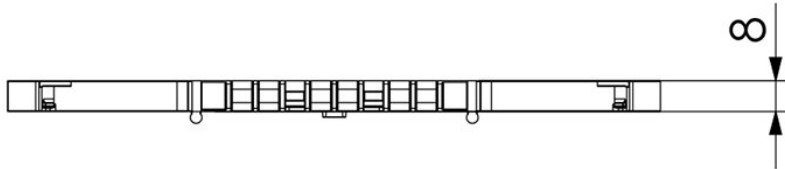
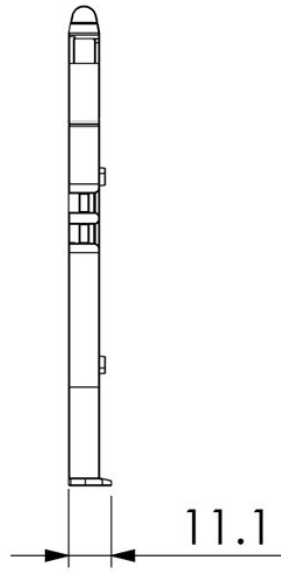
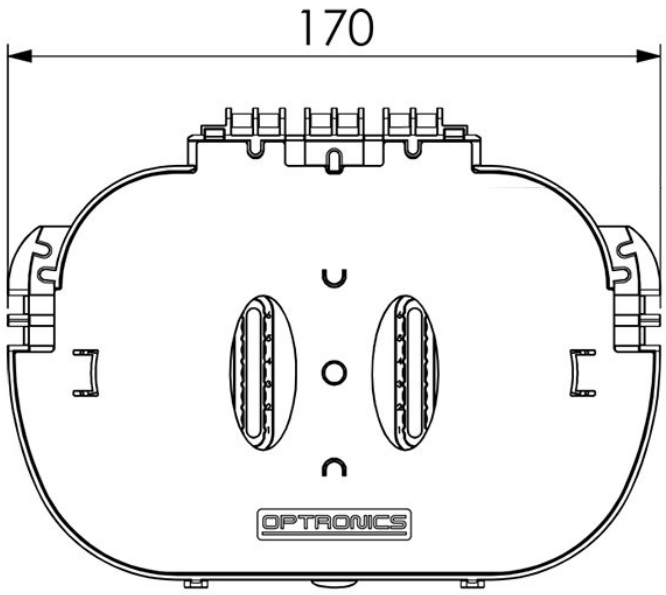
Introducing the revolutionary new splice tray with unrivalled ease of use and flexibility. Featuring snap out hinge points, interchangeable splice holder, anti rotation points, fibre pick giving total fibre management and splicing control in one product. Due to its accommodating internal dimensions this splice tray is able to comfortably hold 12 heatshrink or 24 metal crimp style splice protectors and accepts 8 or 12 fibre sub units. (easy strip pigtailed must be used with this tray)

Features/Benefits

- Spacious interior maintains 30mm fibre bend radius and allows storage of 250µm fibre
- Internal management allows multiple fibre routing options including cross over
- Snap in splice holders give the option to use heat shrink or Crimp type splice protectors
- Built in fibre pick can be used to withdraw individual fibres and can be stored in the tray after use
- Will hold up to 12 heat shrink splices or 24 crimp style splice protectors
- (easy strip pigtailed must be used with this tray)
- Supplied with tray hinge to maintain access to splices when stacked
- Transparent lid supplied is fitted with an anti rotation clip
- Cable tie points to secure fibre on entry and exit
- Mountable via central hole, DIN style holes
- Accepts 8 or 12 fibre sub units

Specifications

ELEMENT	VALUE
Width	170mm
Depth	125mm
Height	11.1mm
Net weight	64g
Number of heat shrink positions per tray	12
OrNumber of crimp positions per tray	24
Material	Fire retardant ABS
Colour	RAL7015
Operating temperature	-40°C to +60°C
Designed in accordance with	TIA/EIA 568.C, ISO/IEC 11801, EN50173, IEC60304, IEC61754,
Compliant to	RoHS, Reach/SVHC



Ordering information

Fibre Splice Tray Heat Shrink / Crimp type

SPT06



SCAN QR FOR PRODUCT PAGE

Further Information

- For additional information please contact your sales representative
- To view the product 360 visit the product page (Scan the QR code or visit the link below)
- Downloaded from <http://www.fibrefab.com/products/spt06-optronics-12-or-24-fibre-hinged-splice-tray>
- FibreFab reserves the right to make changes in this datasheet at any time without notice
- Information in this document is correct as of February 06, 2017

Europe

+44 (0) 1908 441 144
sales@fibrefab.com
© FibreFab 2017

Americas

+1 800 790 9932
sales@fiberfabinc.com

Middle East & Africa

+971 4 404 9606
mesales@fibrefab.com

Asia Pacific

+86 755 2561 3694
asia@fibrefab.com